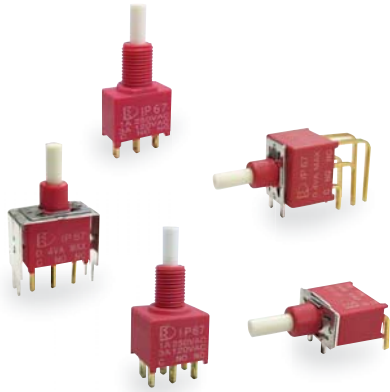


7A Series

Sealed Snap-Acting Pushbutton Switches



IP 67
ACCORDING TO
EN 60529:1991+A1:2001
IEC 60529:2001



SPECIFICATIONS

CONTACT RATING: Dependent upon contact material see page 110.

MECHANICAL LIFE: 50,000 make-and-break cycles.

CONTACT RESISTANCE: 20 mΩ max. initial @ 2-4VDC

100mA for both silver and gold plated contacts.

INSULATION RESISTANCE: 1,000 MΩ min.

DIELECTRIC STRENGTH: 1,000 Vrms min. @sea level.

OPERATING TEMPERATURE: -30°C to 85°C.

CAP INSTALLATION FORCE: 10 lbs,max.permmissible.

MATERIALS

CASE & BUSHING : Glass filled Nylon 6/6, flame retardant, heat stabilized (UL 94v-0).

PLUNGER: Glass filled Nylon or Glass fille polyester (UL 94v-0).

SWITCH SUPPORT: Brass or steel, tin plate.

SWITCH SUPPORT RETAINER: Stainless steel.

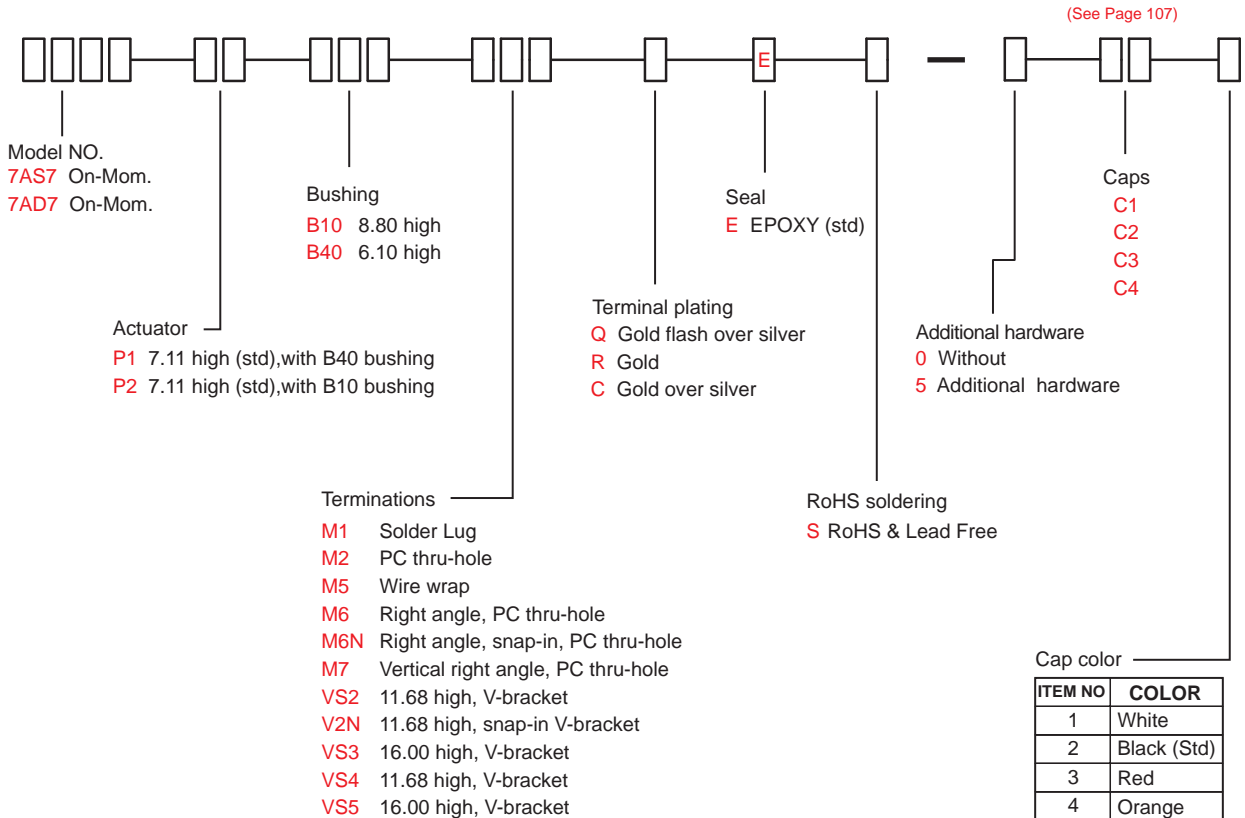
CONTACTS : Phosphor bronze with silver coin.

ALL TERMINALS : Brass,with silver or gold plated. (See Page 110)

TERMINAL SEAL : Epoxy.

HOW TO ORDER

MODEL NO. ACTUATOR BUSHING TERMINATIONS TERMINAL SEAL RoHS ADDITIONAL CAPS CAP
SOLDERING HARDWARE COLOR



ITEM NO	COLOR
1	White
2	Black (Std)
3	Red
4	Orange
5	Yellow
6	Green
7	Blue
8	Brown
9	Gray

* Besides standard color, other colors need to check stocks available.

7A Pushbutton Switches

SWITCH FUNCTION

NO. POLES	MODEL NO.	SWITCH FUNCTION		CONNECTED TERMINALS / SCHEMATIC	
		POS.1	POS.2	POS.1	POS.2
SP	7AS7	ON	MOM	1-3 NC 3 • 1 (COMM) • 2 NO	1-2 NC 3 • 1 (COMM) • 2 NO
DP	7AD7	ON	MOM	1-3,4-6 NC 3 • 1 (COMM) • 2 NO NC 6 • 4 • 5 NO	1-2,4-5 NC 3 • 1 (COMM) • 2 NO NC 6 • 4 • 5 NO

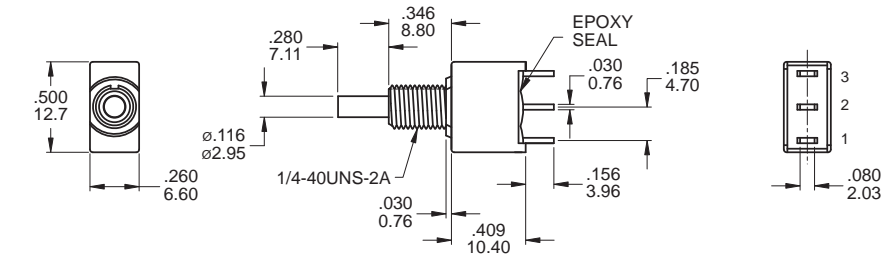
MOM=MOMENTARY

POLE OPTIONS



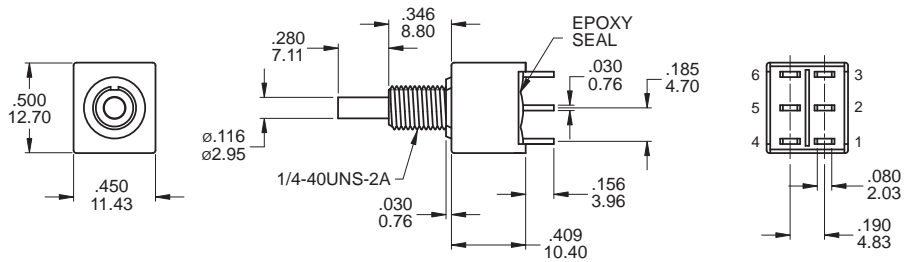
SPDT

Part No. Shown : 7AS7P2B10M1QE



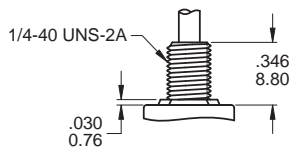
DPDT

Part No. Shown : 7AD7P2B10M1QE



BUSHING OPTIONS

B10



Std for M1

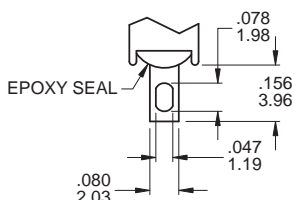
B40



Std for M2, M6, M7, VS termination

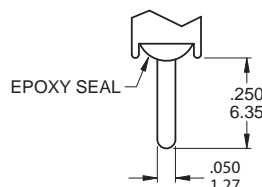
TERMINATION OPTIONS

M1 Solder lug



THK .030(0.76)

M2 PC Thru-hole



THK .030(0.76)

OTHER TERMINATION OPTIONS

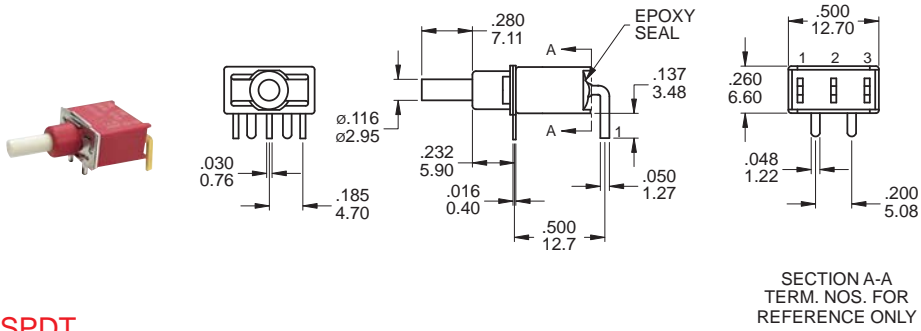
- M6** Right angle P.C. Mount
- M6N** Right angle P.C. Mount, Snap-in bracket
- M7** Right angle P.C. Mount
- VS2** Vertical bracket P.C. Mount
- V2N** Vertical bracket P.C. Mount, Snap-in bracket
- VS3** Vertical bracket P.C. Mount



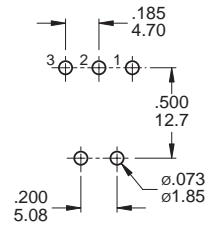
7A Series

Sealed Snap-Acting Pushbutton Switches

M6



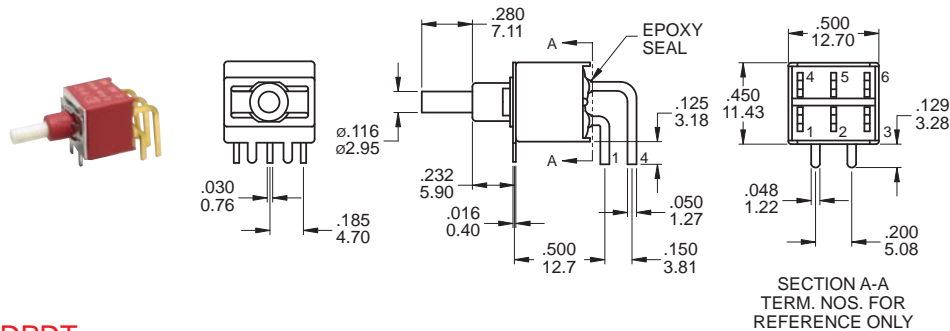
P.C. MOUNTING



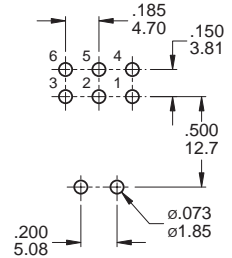
SPDT

Part No. Shown : 7AS7P1B40M6RE

M6



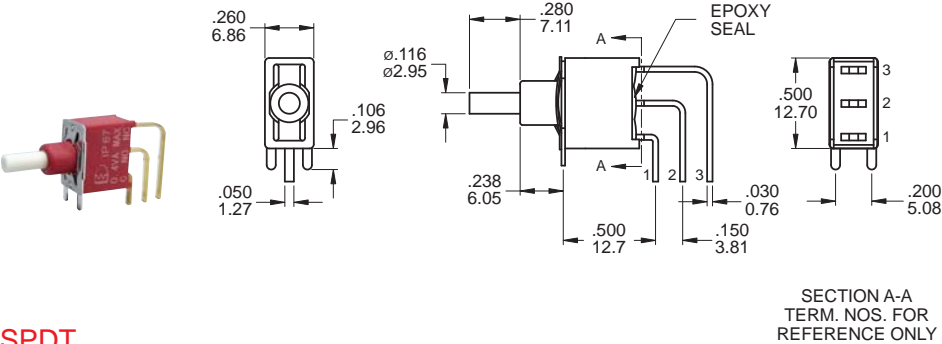
P.C. MOUNTING



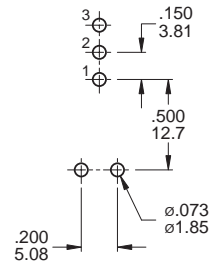
DPDT

Part No. Shown : 7AD7P1B40M6RE

M7



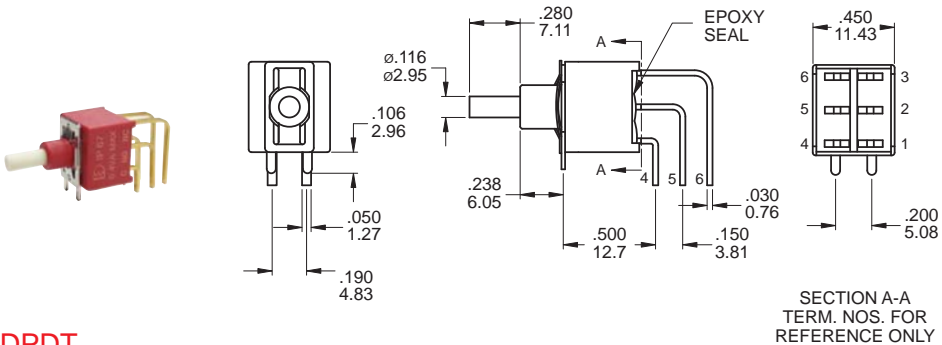
P.C. MOUNTING



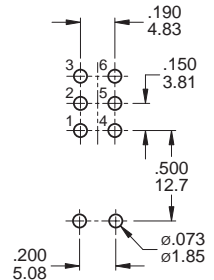
SPDT

Part No. Shown : 7AS7P1B40M7RE

M7



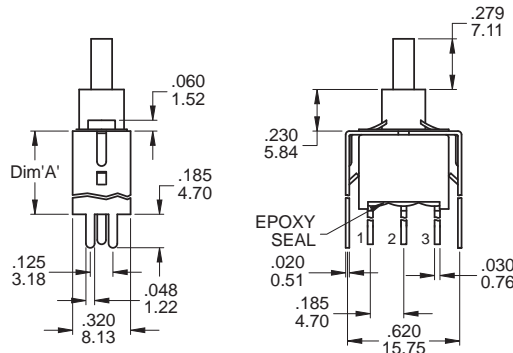
P.C. MOUNTING



DPDT

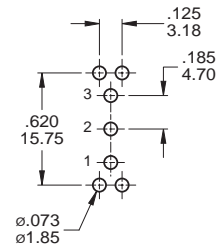
Part No. Shown : 7AD7P1B40M7RE

VS2 - VS3



OPTION CODE	DIM. 'A'
VS2	.460 11.68
VS3	.630 16.00

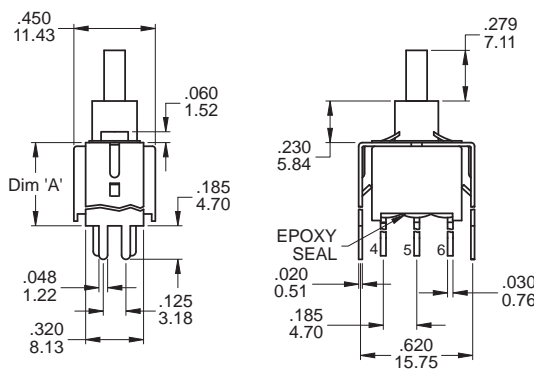
P.C. MOUNTING



SPDT

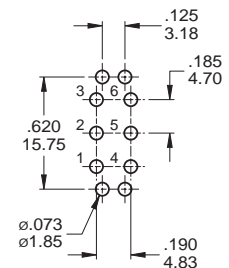
Part No. Shown : 7AS7P1B40VS2RE

VS2 - VS3



OPTION CODE	DIM. 'A'
VS2	.460 11.68
VS3	.630 16.00

P.C. MOUNTING

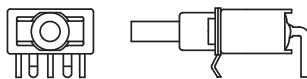


DPDT

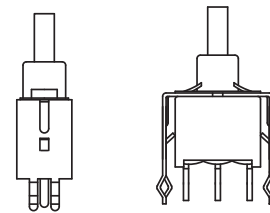
Part No. Shown : 7AD7P1B40VS2RE

SNAP-IN TERMINATION OPTIONS

M6N



V2N



CONTACT MATERIAL OPTIONS

	CONTACT PLATING	TERMINAL PLATING	RATINGS
Q	Silver	Q = Gold flash over silver	3 Amps with resistant load @ 120VAC or 28VDC 1 Amps with resistant load @ 250VAC
C	Gold over Silver	C = Gold over silver	
R	Gold	R = Gold	0.4 Volt - Amps (VA) max. @ 20V max. (AC or DC)

SOLDERING PROCESSES

MANUAL SOLDERING: Use soldering iron of 30 watts, controlled at 350°C approximately 5 seconds while applying solder.

WAVE SOLDERING: Recommended Soldering Temperature: 270 ± 5°C

Duration of Solder Immersion: Max 5 sec. (PCB is 1.6mm in thickness)